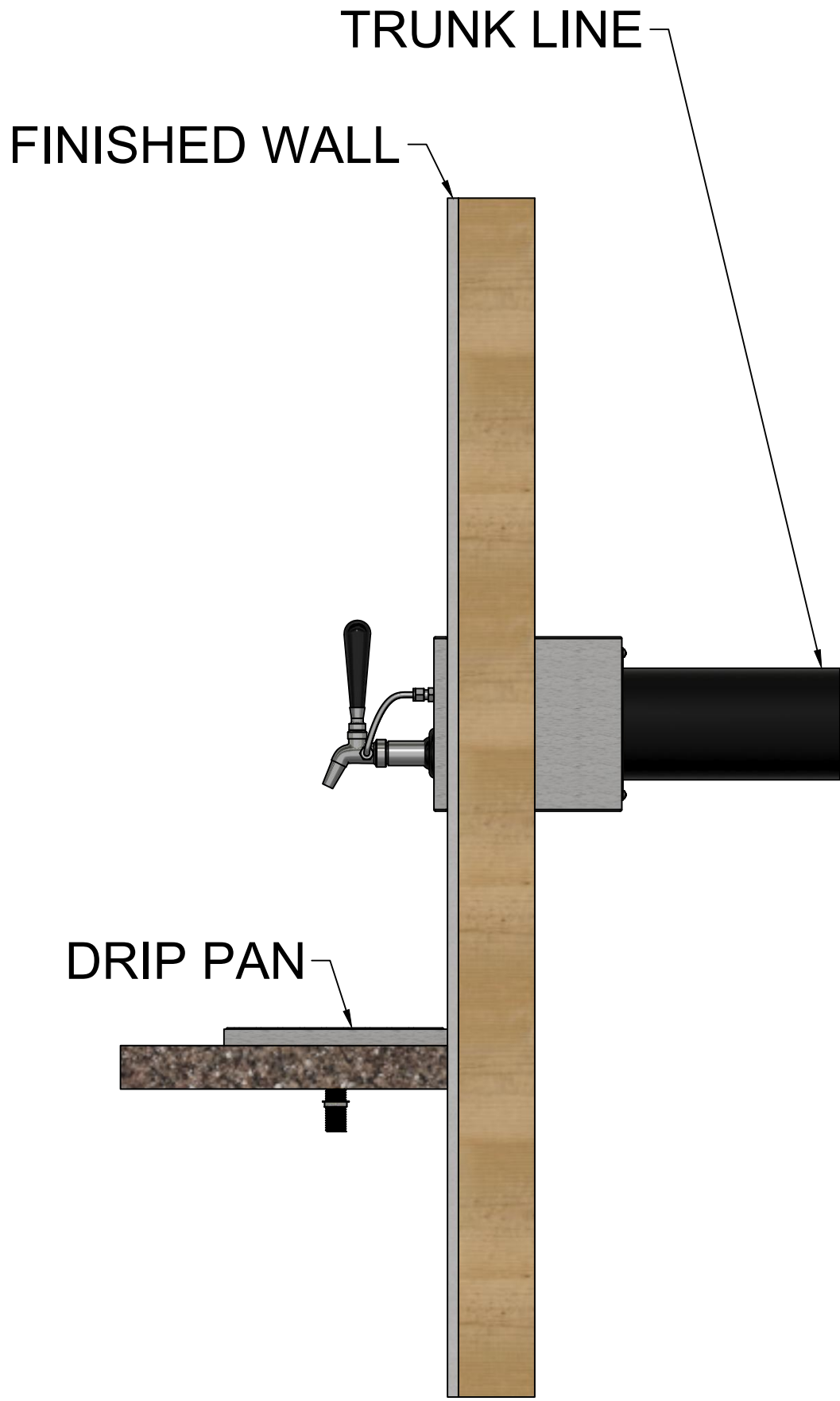
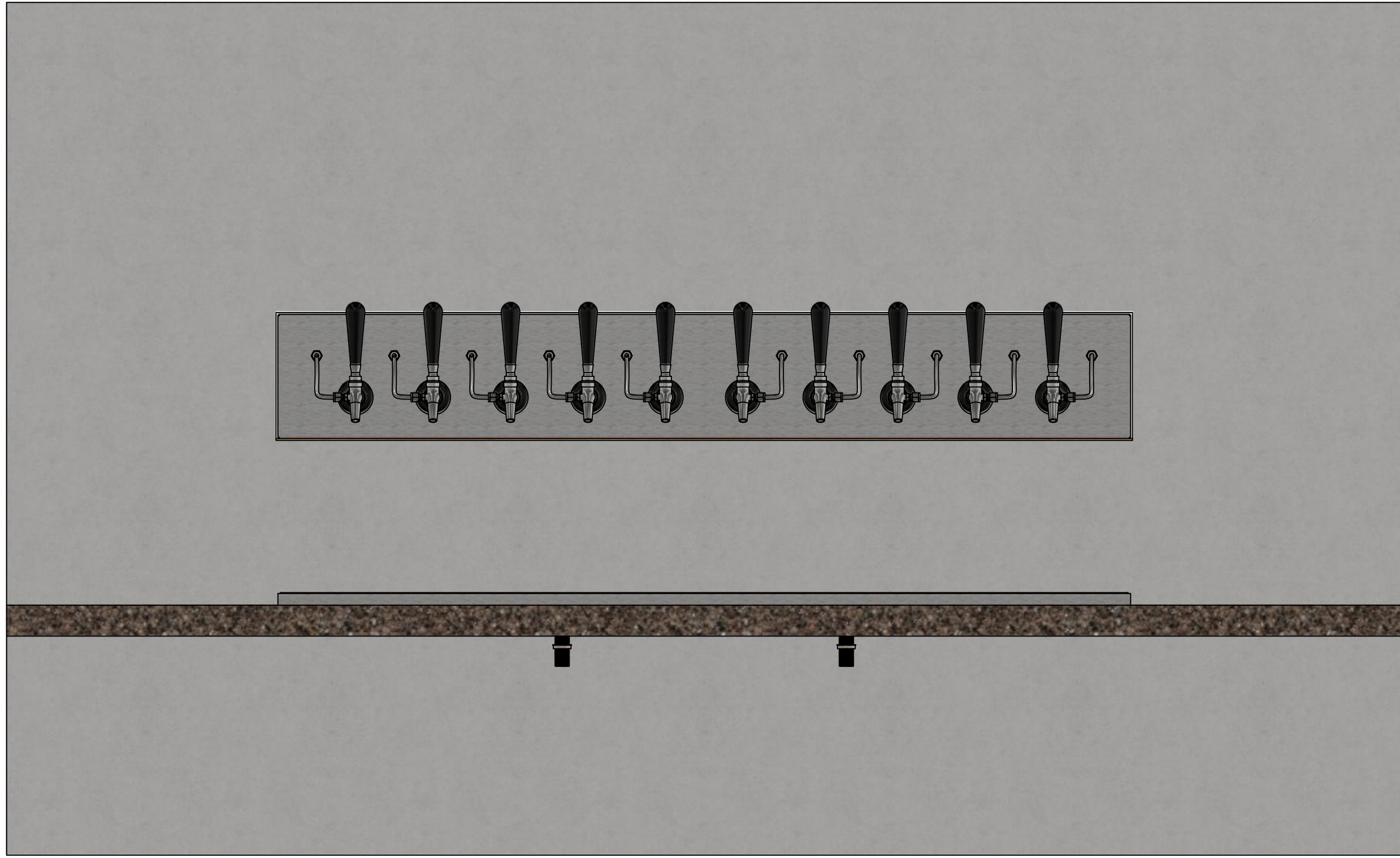


SUPPORT FRAME



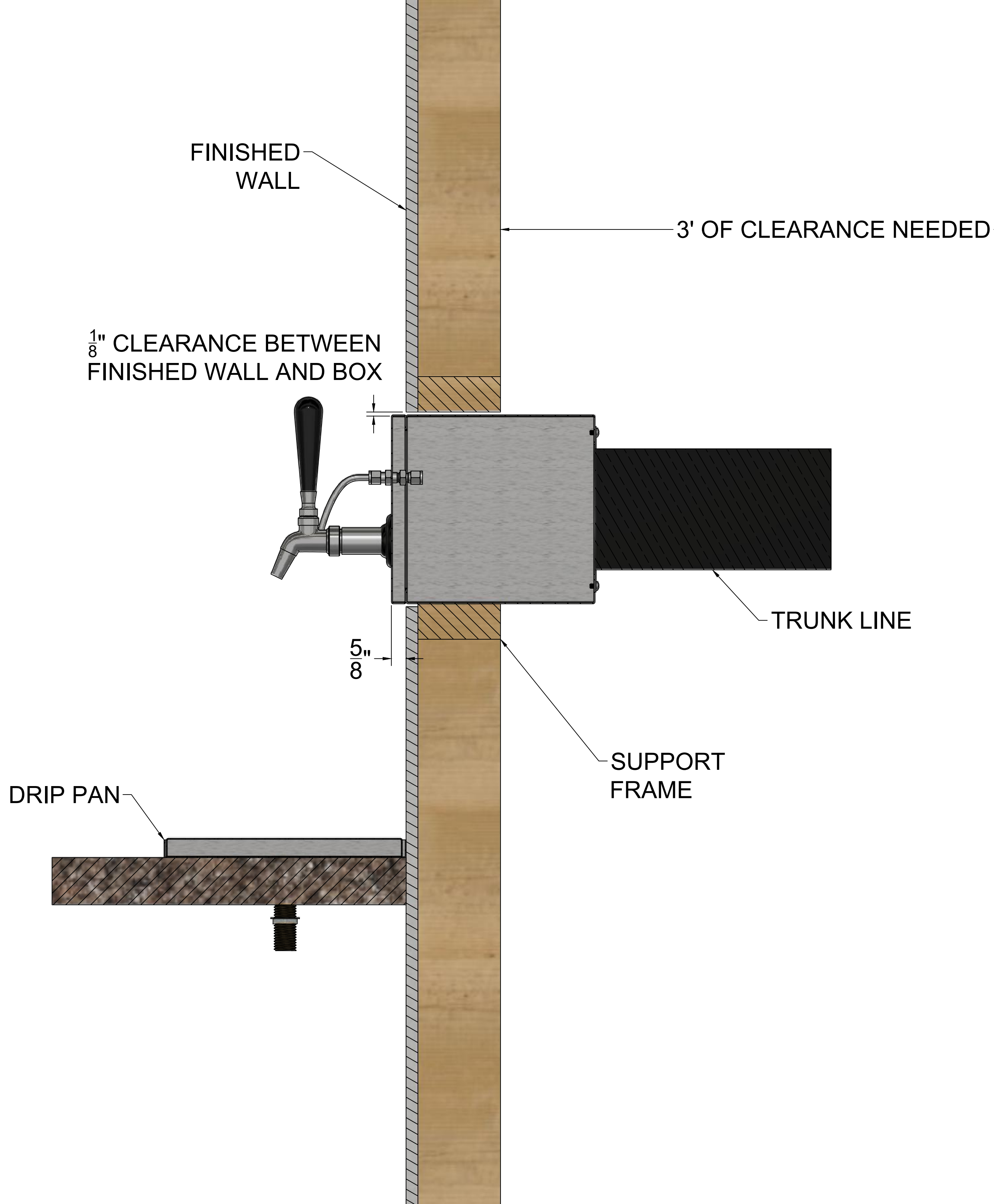
TRUNK LINE


FINISHED WALL

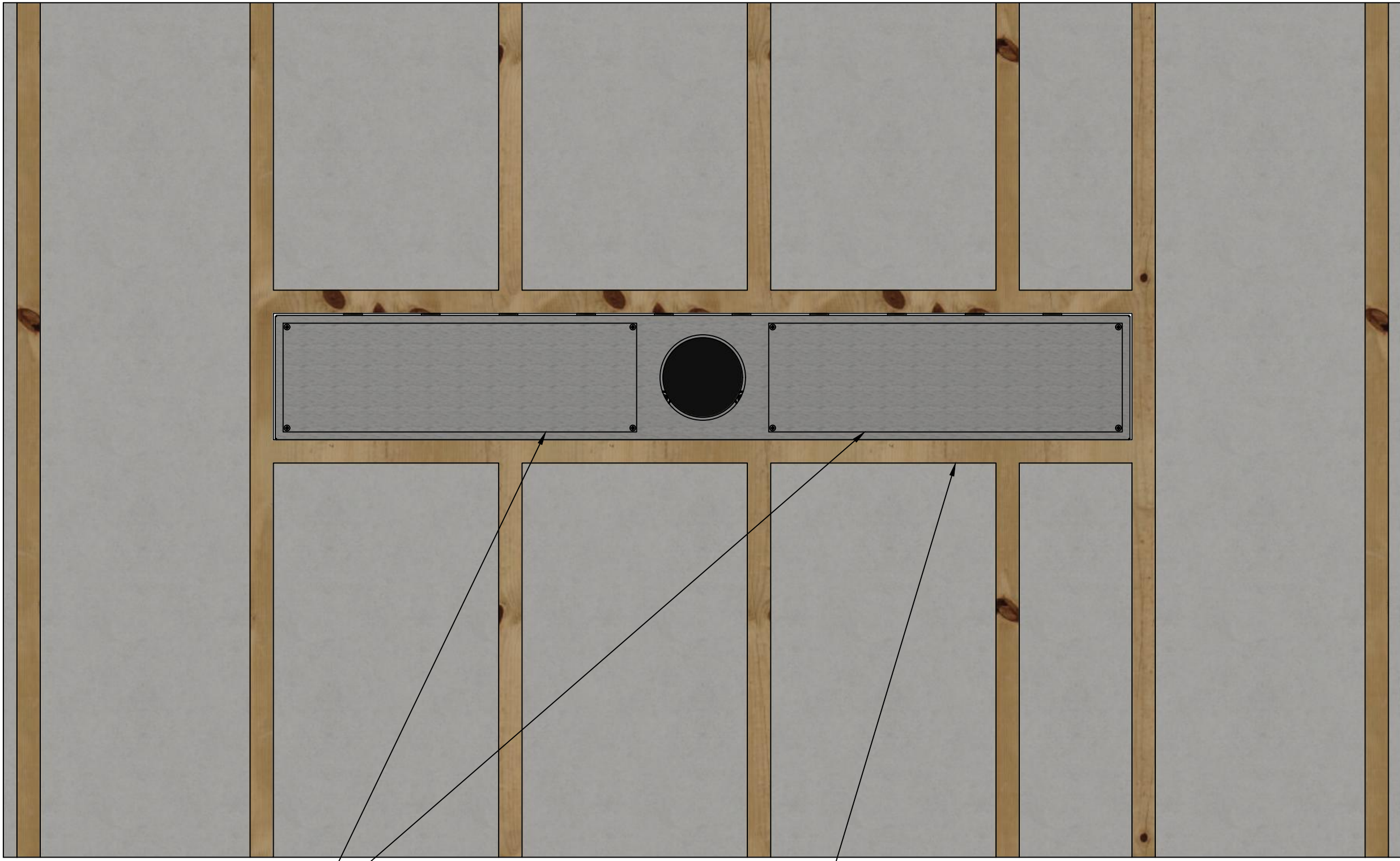
DRIP PAN

DRAWN BY: SK	DATE: 10/13/2020
<p>THIS DRAWING IS THE PROPERTY OF STS TECHNOLOGIES AND SHOULD NOT BE USED OR RECREATED WITHOUT WRITTEN CONSENT FROM STS TECHNOLOGIES.</p>	
<p>COLORATION IS A DIGITAL REPRESENTATION AND DOES NOT REFLECT THE ACTUAL COLOR</p>	
<p>NOTES:</p>	<p>EXAMPLE SPARTAN INSTALLATION</p>



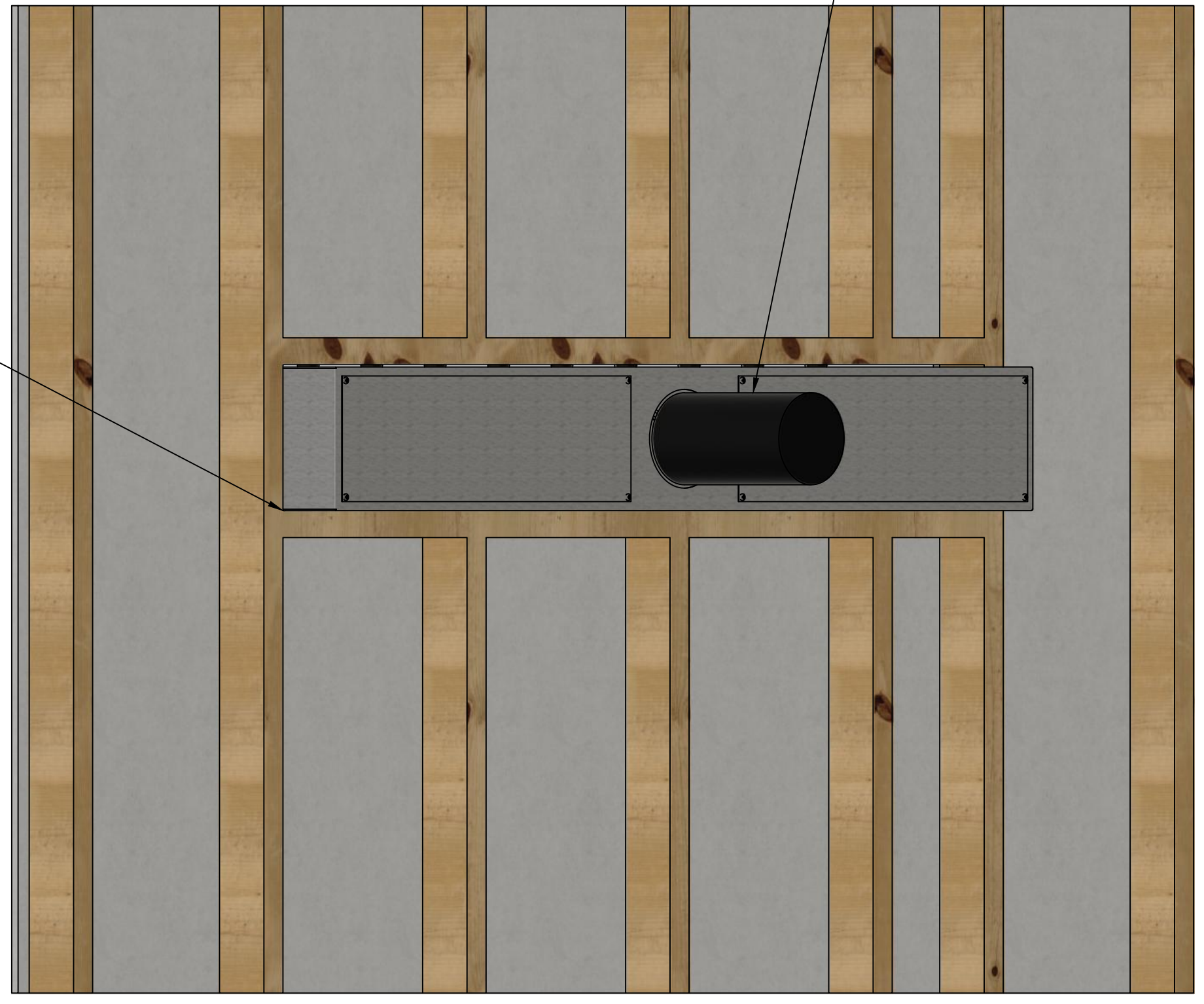


	NOTES: EXAMPLE SPARTAN INSTALATION	DRAWN BY: SK	DATE: 10/13/2020
	THIS DRAWING IS THE PROPERTY OF STS TECHNOLOGIES AND SHOULD NOT BE USED OR RECREATED WITHOUT WRITTEN CONSENT FROM STS TECHNOLOGIES. COLORATION IS A DIGITAL REPRESENTATION AND DOES NOT REFLECT THE ACTUAL COLOR		



REAR ACCESS  
PANELS

SUPPORT FRAME



TRUNK LINE



NOTES:

EXAMPLE SPARTAN INSTALATION

DRAWN BY: SK

DATE: 10/13/2020

THIS DRAWING IS THE PROPERTY OF STS TECHNOLOGIES AND SHOULD NOT BE USED OR RECREATED WITHOUT WRITTEN CONSENT FROM STS TECHNOLOGIES.

COLORATION IS A DIGITAL REPRESENTATION AND DOES NOT REFLECT THE ACTUAL COLOR