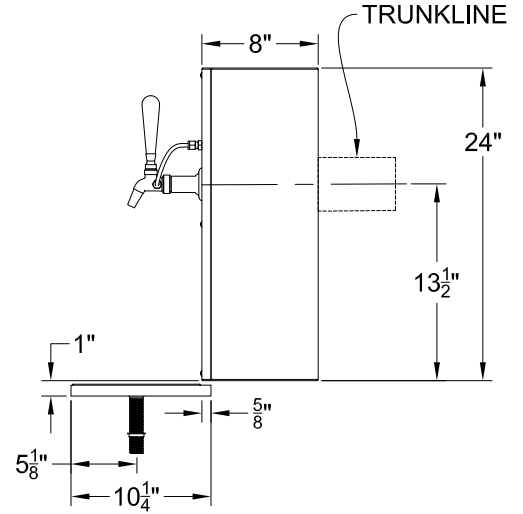


TOWER NOMENCLATURE:
DAPPER - 10F - WM - SS
 STYLE OF TOWER
 NUMBER OF FAUCETS
 MOUNT TYPE
 TOWER FINISH

LEGEND: SS = #4 BRUSHED PC = POWDER COATED
 TOWER MADE OF 304 STAINLESS STEEL

DISCLAIMERS:
 • STS TECHNOLOGIES RESERVES THE RIGHT TO CHANGE MEASUREMENTS WITHOUT NOTICE.
 • THIS DRAWING IS THE SOLE PROPERTY OF STS TECHNOLOGIES AND SHOULD NOT BE USED OR RECREATED WITHOUT WRITTEN CONSENT FROM STS TECHNOLOGIES.
 • TAP HANDLES NOT INCLUDED.
 • COLORATION IS A DIGITAL REPRESENTATION AND DOES NOT REFLECT THE ACTUAL COLOR.



• PLEASE CHOOSE NUMBER OF FAUCETS BELOW •

▽	FAUCETS	A	B	C	D
<input type="checkbox"/>	4	35	10	35	17.5
<input type="checkbox"/>	6	35	5	35	17.5
• TWO DRAINS REQUIRED ON ALL DRIP PANS OVER 45" WIDE •					
<input type="checkbox"/>	8	55	10	55	18.33
<input type="checkbox"/>	10	55	5	55	18.33
<input type="checkbox"/>	12	75	10	75	25
<input type="checkbox"/>	14	75	5	75	25

• PLEASE CHOOSE ONE TOWER FINISH •

#4 BRUSHED-SS POWDER COAT-PC RAL #

• PLEASE CHOOSE WHERE LINES EXIT •

TOP BACK BOTTOM

• PLEASE CHOOSE ONE DRIP PAN FINISH •

#4 BRUSHED-SS #8 MIRROR-MF

ALL MEASUREMENTS ARE IN INCHES AND WEIGHTS IN POUNDS UNLESS OTHERWISE NOTED

• IF GLASS RINSER IS REQUIRED PLEASE CHOOSE LOCATION •

CENTER or OFFSET

