

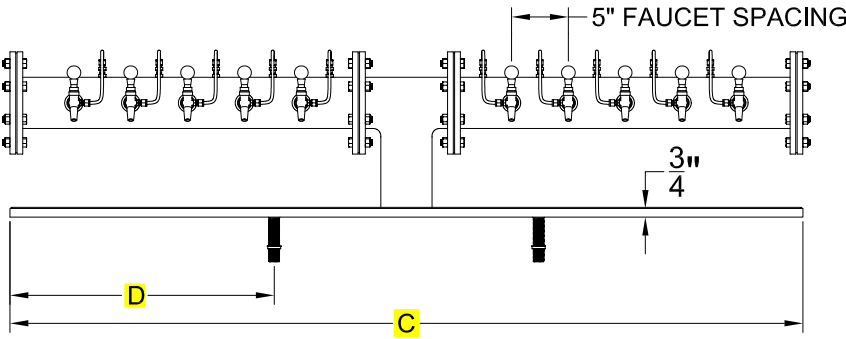
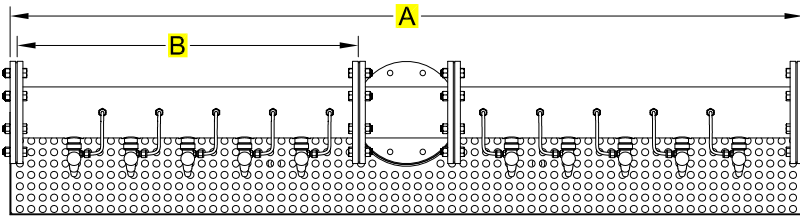
DEBONAIR

COUNTER MOUNT TOWER

ADA COMPLIANT

PROJECT NAME: _____ ITEM #: _____

APPROVED BY: _____ DATE: _____

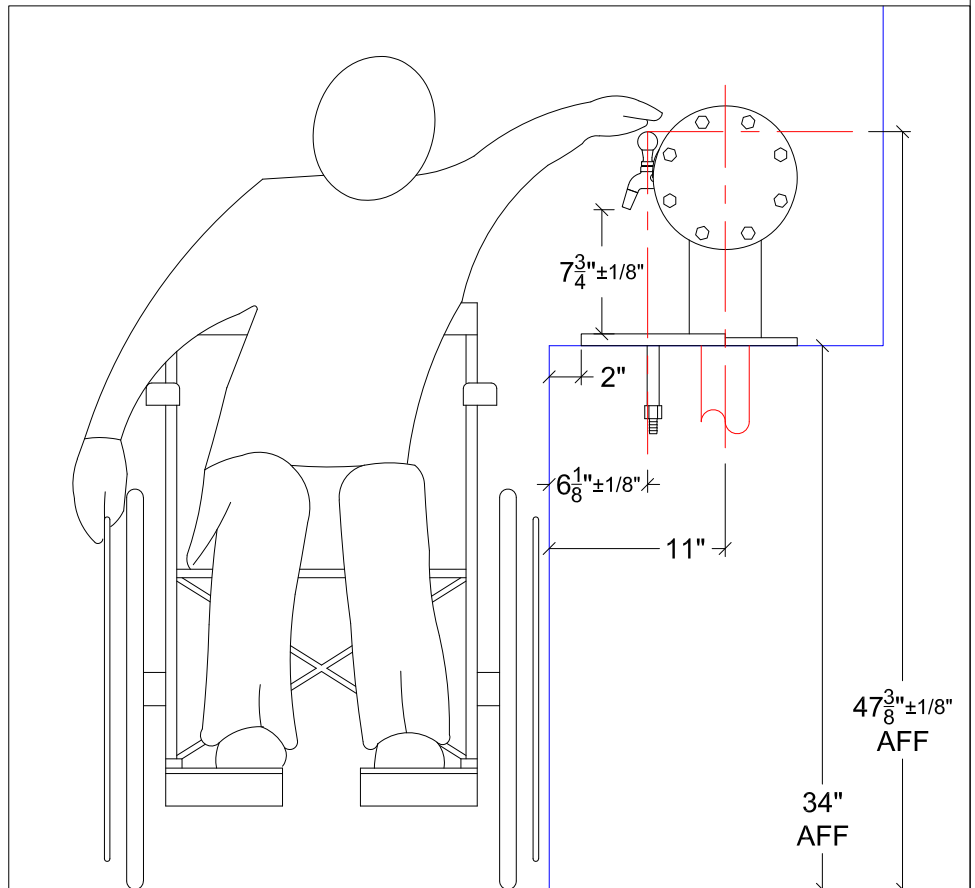
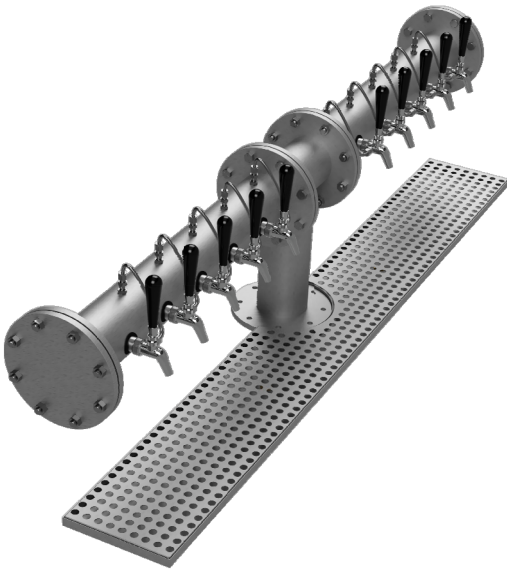
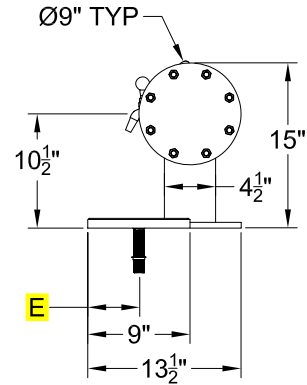


TOWER NOMENCLATURE:
DEBONAIR - 10F - F - CM - SS - ADA
 STYLE OF TOWER
 NUMBER OF FAUCETS
 MOUNT TYPE
 TOWER FINISH
 ADA COMPLIANT

LEGEND: SS = #4 BRUSHED PC = POWDER COATED

INCLUDED HARDWARE: 1/2" - 13 x 5" BOLTS & NUTS
 TOWER MADE OF 304 SCHEDULE 10 STAINLESS STEEL

DISCLAIMERS:
 • STS RESERVES THE RIGHT TO CHANGE MEASUREMENTS WITHOUT NOTICE.
 • THIS DRAWING IS THE SOLE PROPERTY OF STS AND SHOULD NOT BE USED OR RECREATED WITHOUT WRITTEN CONSENT FROM STS.
 • TAP HANDLES NOT INCLUDED.
 • COLORATION IS A DIGITAL REPRESENTATION AND DOES NOT REFLECT THE ACTUAL COLOR



• PLEASE CHOOSE NUMBER OF FAUCETS BELOW •						
FAUCETS	A	B	C	D	E	WEIGHT
<input type="checkbox"/> 4	39.75	15	39.75	19.875	2.25	111
• TWO DRAINS REQUIRED ON ALL DRIP PANS OVER 45" WIDE •						
<input type="checkbox"/> 6	49.75	20	49.75	16.58	4.5	120
<input type="checkbox"/> 8	59.75	25	59.75	19.92	4.5	128
<input type="checkbox"/> 10	69.75	30	69.75	23.25	4.5	137
<input type="checkbox"/> 12	79.75	35	79.75	26.58	4.5	146
<input type="checkbox"/> 14	89.75	40	89.75	29.92	4.5	155
• PLEASE CHOOSE ONE TOWER FINISH •						
<input type="checkbox"/> #4 BRUSHED-SS	<input type="checkbox"/> POWDER COATED-PC RAL #					

ALL MEASUREMENTS ARE IN INCHES AND WEIGHTS IN POUNDS UNLESS OTHERWISE NOTED