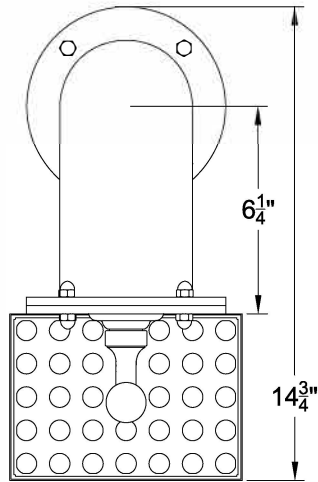


## KEEN COUNTER MOUNT TOWER

PROJECT NAME: \_\_\_\_\_ ITEM #: \_\_\_\_\_

APPROVED BY: \_\_\_\_\_ DATE: \_\_\_\_\_



### TOWER NOMENCLATURE:

KEEN - 1F - CM - SS

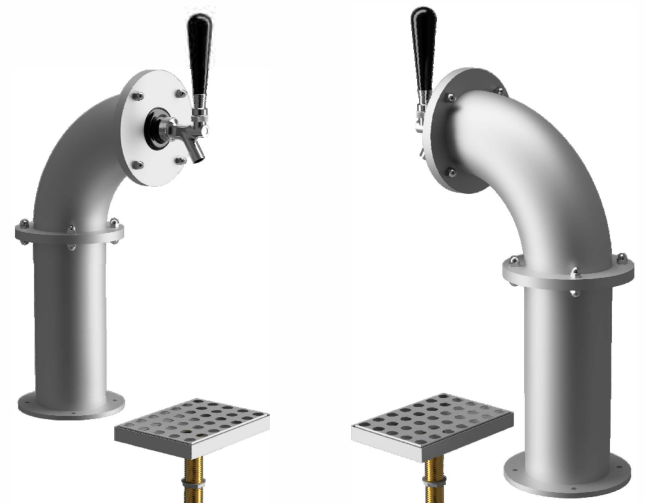
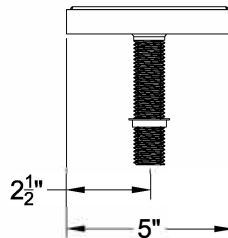
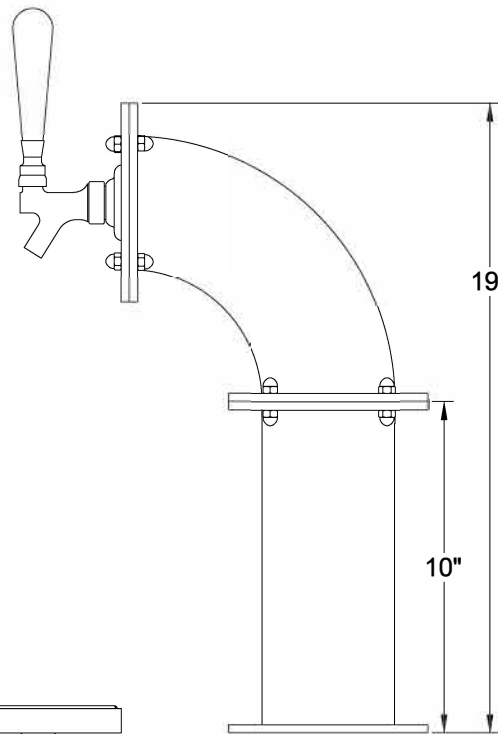
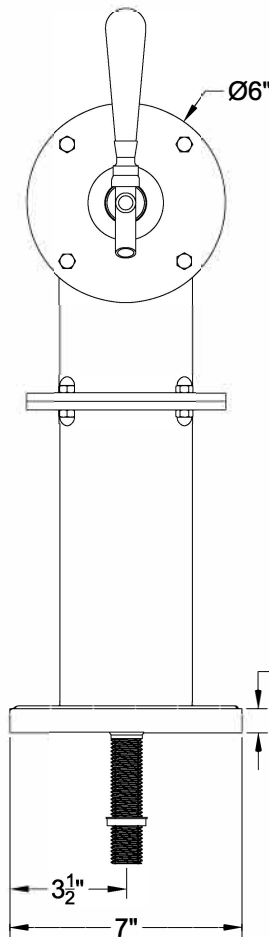
STYLE OF TOWER  
NUMBER OF FAUCETS  
MOUNT TYPE  
TOWER FINISH

LEGEND: SS = #4 BRUSHED PC = POWDER COATED  
MF = MIRROR FINISH BCu=COPPER

TOWER MADE OF 304 STAINLESS STEEL

#### DISCLAIMERS:

- STS TECHNOLOGIES RESERVES THE RIGHT TO CHANGE MEASUREMENTS WITHOUT NOTICE.
- THIS DRAWING IS THE SOLE PROPERTY OF STS TECHNOLOGIES AND SHOULD NOT BE USED OR RECREATED WITHOUT WRITTEN CONSENT FROM STS TECHNOLOGIES.
- TAP HANDLES NOT INCLUDED.
- COLORATION IS A DIGITAL REPRESENTATION AND DOES NOT REFLECT THE ACTUAL COLOR.



STS Technologies, LLC

**• PLEASE CHOOSE ONE TOWER FINISH •**

- |   |   |
|---|---|
| <input type="checkbox"/> #4 BRUSHED-SS    | <input type="checkbox"/> POWDER COAT-PC RAL # |
| <input type="checkbox"/> MIRROR FINISH-MF | <input type="checkbox"/> COPPER-BCu           |

**• PLEASE CHOOSE ONE DRIP PAN FINISH •**

- |  |                                       |
|--|---------------------------------------|
| <input type="checkbox"/> #4 BRUSHED-SS | <input type="checkbox"/> #8 MIRROR-MF |
|--|---------------------------------------|

ALL MEASUREMENTS ARE IN INCHES AND WEIGHTS IN POUNDS UNLESS OTHERWISE NOTED